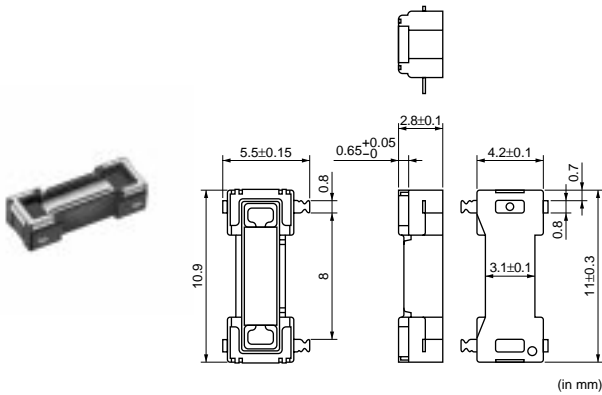


# Coils Antenna

for Receiving



Part Number	Applications	Size	Inductance (mH)	Resistance (ohm)	Q	Receiving Sensitivity (V/μT)	Operating Temperature
<b>MSA1AA001</b>	Antenna coil for receiving	11.0x4.2x2.8mm	2.8 ±5%	21 ±5%	60(Reference)	1.7	-40 to +85°C